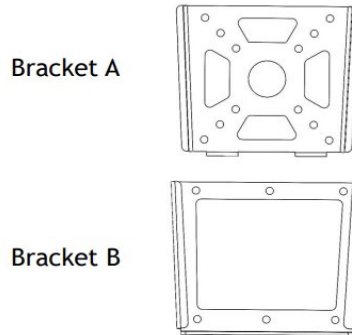
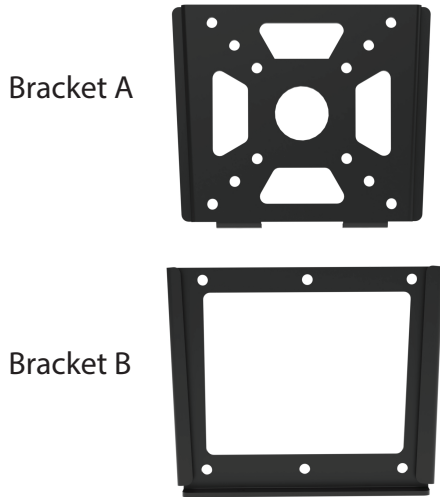


FWM100 is a set of 2 brackets engineered to mount a monitor or mini PC onto any of AVFI's wedge or underside surfaces. Designed for easy use, just slide **Bracket A** onto a mounted **Bracket B**. To securely lock parts together, the user simply threads on the bottom screws to connect both brackets (screws are included) . Only comes in black.

Standard Features

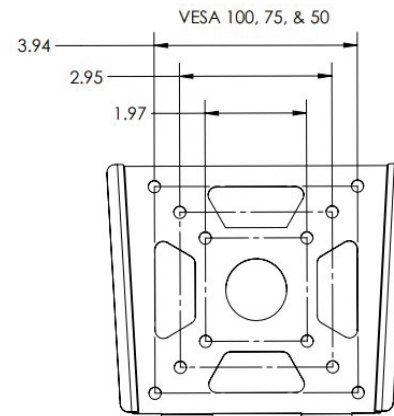
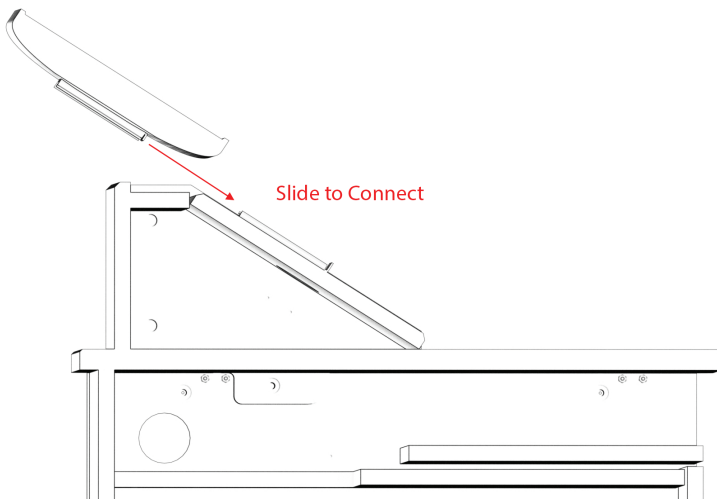
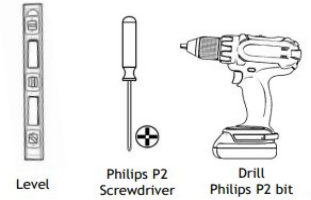
- Black finish
- Two mating brackets
- Mounting Hardware



Included in package



What you will need



The information contained in this drawing is the sole property of Audio Visual Furniture International. Any reproduction in part or as a whole without the written permission of Audio Visual Furniture International is prohibited. We can build or modify stock configurations to suit customer specifications. Please contact us to discuss how this service can help meet your needs. Some quantity restrictions may apply. Specification subject to change without notice. Computers, cameras, monitors, etc. are shown to illustrate product usage and are not included unless otherwise noted.